

DIPLOMAT-



FLAGS



MOUNTING INSTRUCTIONS

DIPLOMAT-BAYONET

STEEL - CHROME - BLACK - GOLD



Overview:

First, mount the base to your car.

Next, insert the flag pole by pushing it into the base **WHILE** rotating it.

Details:

Here you can see the base mounted to a car:



Mounting the base for the first time will take about one hour per side.

Here are the parts mounted to a car:



To mount these parts, you must drill some holes in the body of the car. You will see them on the sticker attached to your package.

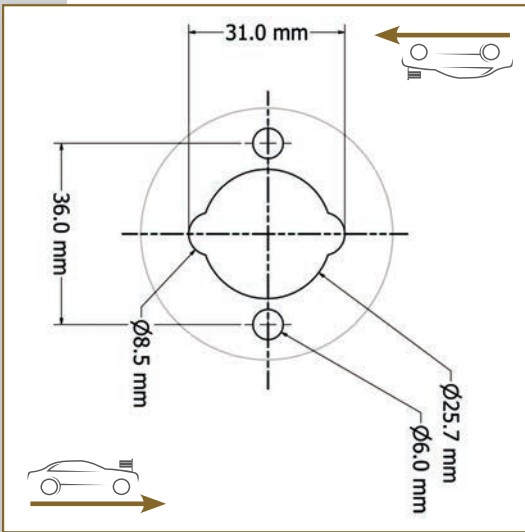
You will need to drill one 25.7 mm hole and two 6 mm holes. Next, enlarge the 25.7 mm hole a little bit on both sides.

First, try to find the best location to mount the flag pole. We suggest removing the front wheel and the wheel arch panel. You will need some space behind the fender to mount the base unit.

The area you choose for mounting the flag pole should be as flat as possible. You can compensate for some curves with the rubber covers attached to the package. One outside the fender and up to 2 inside the fender.

To mount and unmount the flag pole from the base you must press the flag pole into the base. Because of the force generated, we suggest you choose an area to mount the base where the fender is as stable as possible.

On most cars, you can mount the flag pole base without installing supports inside of the fender.



However, some modern cars use very thin sheet metal for the fender, so the fender might become deformed if you use too much force while inserting the flag pole. To avoid this, add strong supports which will decrease the risk of damaging the car. For one example, see image below. This bracket was made for a Toyota Landcruiser-Station J20-VDJ200.



After choosing the best place to mount the base, drill the holes. The sticker in your package might help you. It is important to **align the holes perfectly vertical**, so that the flags will stand completely upright when you've finished. Drill 3 holes with 6 mm diameter.

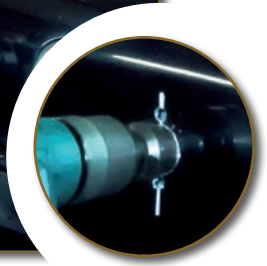


Increase the size of the middle hole to 25.7 mm. Using a step drill might help you. Enlarge the hole at the left and right side with a file so that the base and its 2 bolts will fit.

Putting some paint on the holes will help to avoid rust in the future.

Next, mount everything. Here is the list of parts from outside to inside.

- Flag bole base unit with 2 bolts
- 1 rubber seal
- The fender
- 1 or 2 rubber seals, depending on how curved your car is
- The plate with holes
- Washers on each bolt
- Self-Locking Nuts on each bolt



After the base is mounted, you can put the car back together and reattach the wheel.

Attaching and unmounting the flag pole requires strong force.

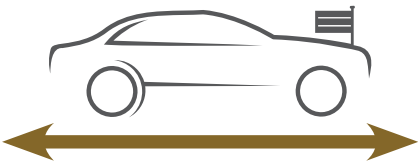
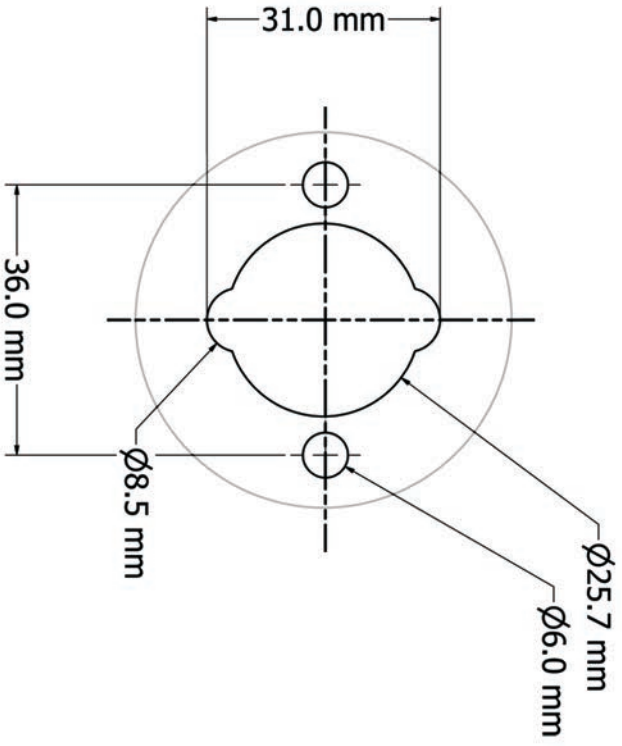
You have to insert the flag pole and then rotate it WHILE pressing it in.

A video demonstrating how the flag pole is mounted to the base is available here:
www.diplomat-flags.com/bayonet

You'll see that the fender is slightly deformed when you press in the flag pole, but it returns to its original form after the flag pole is mounted.

If you want to avoid this, you can build supports for your car, like the yellow bracket shown earlier in this manual. In most cases, this is not necessary.

If you have any questions, please feel free to contact us.



WWW.DIPLOMAT-FLAGS.COM



mag·Flags

magFlags GmbH

Bei der Zehntscheuer 22/2, 73650 Winterbach, GERMANY

☎ +49 7151.133 91 95, ☎ +49 7151.133 91 99

info@diplomat-flags.com, www.diplomat-flags.com